

# TPD1009S

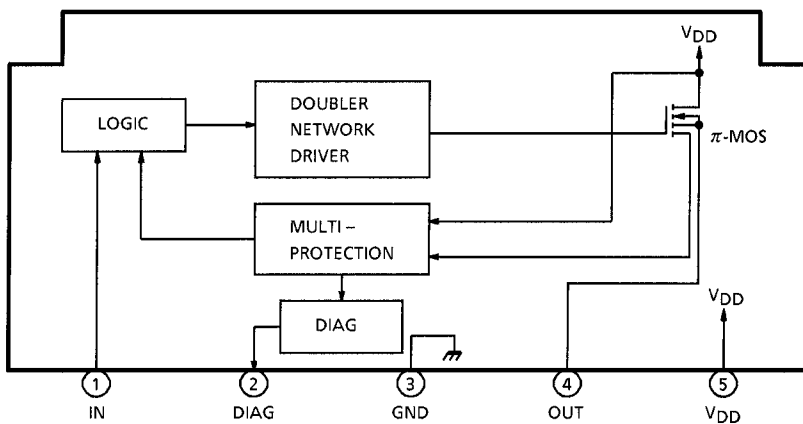
High-side Power Switch for Motors, Solenoids, and Lamp Drivers.

TPD1009S is a monolithic power IC for high-side switches. The IC has a vertical MOS FET output which can be directly driven from a CMOS or TTL logic circuit (eg, an MPU). The device offers intelligent self-protection and diagnostic functions.

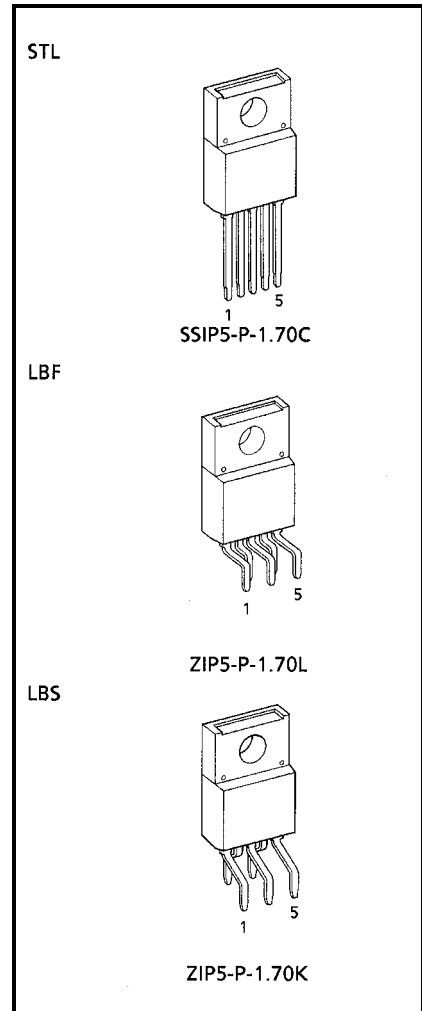
## Features

- A monolithic power IC with a new structure combining a control block (Bi-CMOS) and a vertical power MOS FET ( $\pi$ -MOS) on a single chip.
- One side of load can be grounded to a high-side switch.
- Can directly drive a power load from a microprocessor.
- Built-in protection against thermal shutdown and load short circuiting.
- Incorporates a diagnosis function that allows diagnosis output to be read externally at load short circuiting, opening, or overtemperature.
- Up to  $-10V$  of counterelectromotive force from an L load can be applied.
- Low on resistance :  $R_{ON} = 60m\Omega$  (max)
- Low operating current :  $I_{DD} = 1mA$  (typ.) (@ $V_{DD} = 12V, V_{IN} = 0V$ )
- 5-pin TO-220 insulated package.
- Three standard lead configurations.

## Pin Assignment

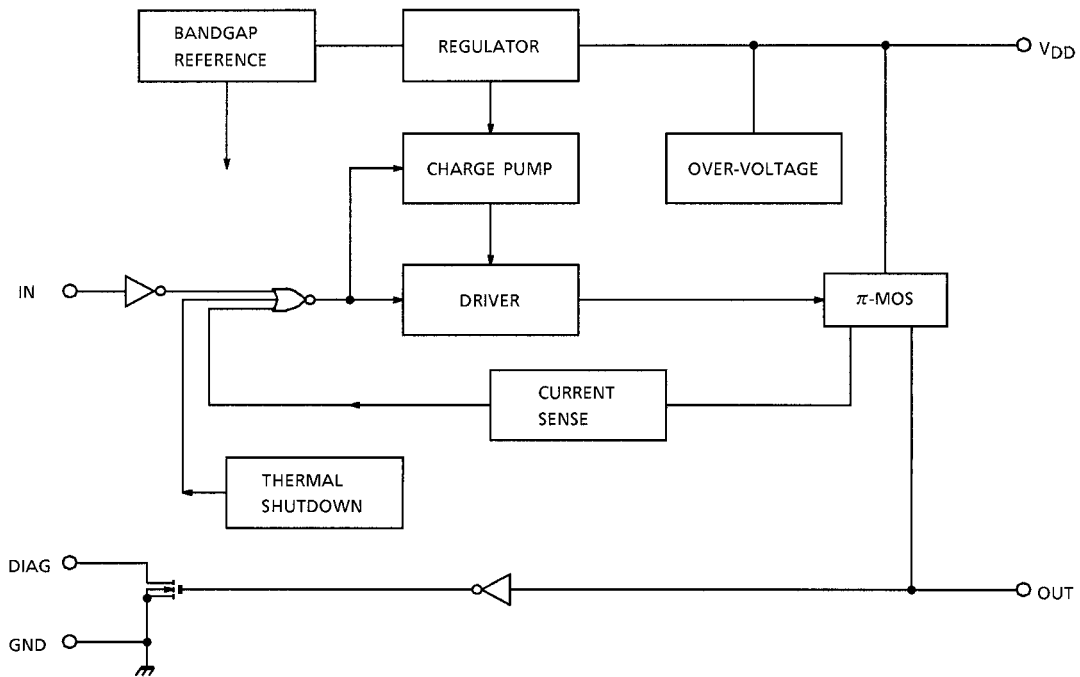


Note: That because of its MOS structure, this product is sensitive to static electricity.



Weight  
 SSIP5-P-1.70C : 2.1g (typ.)  
 ZIP5-P-1.70L : 2.1g (typ.)  
 ZIP5-P-1.70K : 2.1g (typ.)

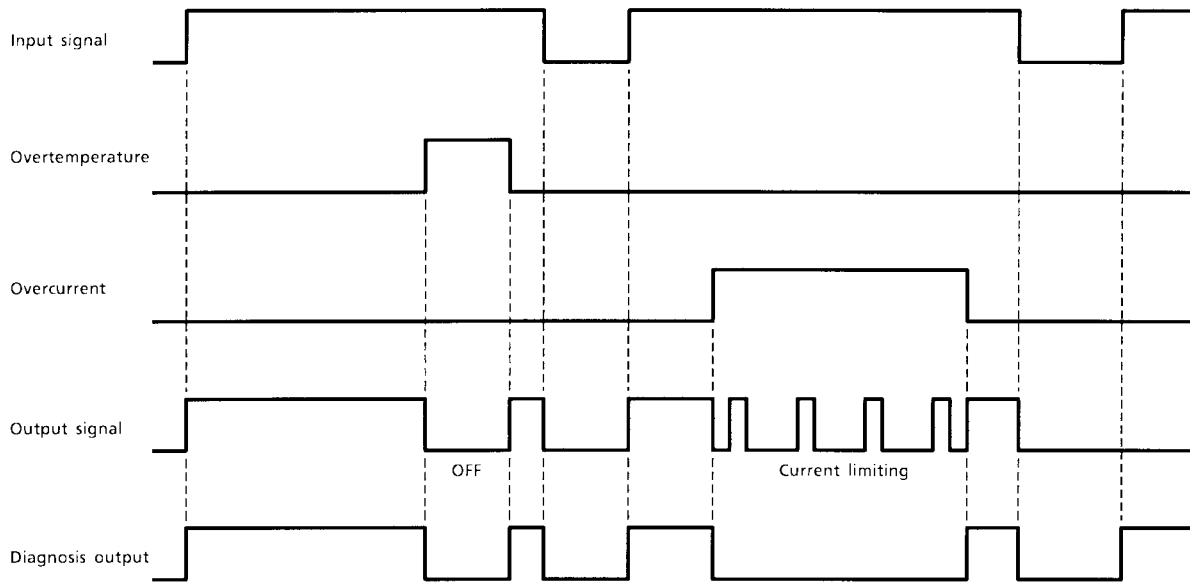
**Block Diagram**



**Pin Description**

Pin No.	Symbol	Function
1	IN	Input pin. Input is CMOS-compatible, with pull-down resistor connected. Even if the input is open, output will not accidentally turn on.
2	DIAG	Self-diagnosis detection pin. Goes low when overheating is detected or when output is short circuited with input on (high). n-channel open drain.
3	GND	Ground pin.
4	OUT	Output pin. When the load is short circuited and current in excess of the detection current flows to the output pin, the output automatically turns on or off.
5	V <sub>DD</sub>	Power pin.

## Timing Chart



## Truth Table

Input Signal	Output Signal	Diagnosis Output	State
H	H	H	Normal
L	L	L	
H	L	L	Overcurrent
L	L	L	
H	H	H	Load open
L	H	H	
H	L	L	Overtemperature
L	L	L	

## Maximum Ratings (Ta = 25°C)

Characteristics		Symbol	Rating	Unit
Drain-source Voltage		V <sub>DS</sub>	60	V
Supply Voltage	DC	V <sub>DD</sub> (1)	25	V
	Pulse	V <sub>DD</sub> (2)	60 (Rs = 1Ω, τ = 250ms)	V
Input Voltage	DC	V <sub>IN</sub> (1)	-0.5~12	V
	Pulse	V <sub>IN</sub> (2)	V <sub>DD</sub> (1) + 1.5 (t = 100ms)	V
Diagnosis Output Voltage		V <sub>DIAG</sub>	-0.5~25	V
Output Current		I <sub>O</sub>	Internally Limited	A
Input Current		I <sub>IN</sub>	±10	mA
Diagnosis Output Current		I <sub>DIAG</sub>	5	mA
Power Dissipation	Tc = 25°C	P <sub>D</sub> (1)	30	W
	Ta = 25°C	P <sub>D</sub> (2)	2	W
Operating Temperature		T <sub>opr</sub>	-40~110	°C
Junction Temperature		T <sub>j</sub>	150	°C
Storage Temperature		T <sub>stg</sub>	-55~150	°C
Lead Temperature/time		T <sub>SOL</sub>	275 (5s), 260 (10s)	°C

## Electrical Characteristics (Tj = -40~110°C, V<sub>DD</sub> = 8~18V)

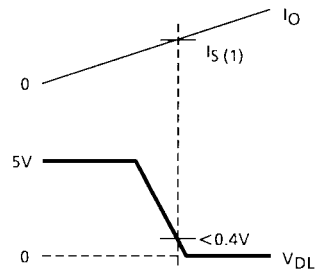
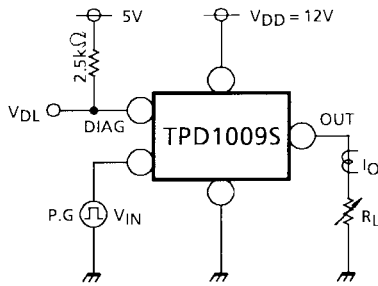
Characteristics		Symbol	Test Circuit	Test Condition	Min	Typ.	Max	Unit
Operating Supply Voltage		V <sub>DD</sub> (opr)	—	—	5	12	18	V
Supply Current		I <sub>DD</sub>	—	V <sub>DD</sub> = 12V, V <sub>IN</sub> = 0V	—	1	5	mA
Input Voltage		V <sub>IH</sub>	—	V <sub>DD</sub> = 12V, I <sub>O</sub> = 8A	3.5	—	—	V
		V <sub>IL</sub>	—	V <sub>DD</sub> = 12V, I <sub>O</sub> = 1.2mA	—	—	1.5	V
Input Current		I <sub>IN</sub> (1)	—	V <sub>DD</sub> = 12V, V <sub>IN</sub> = 5V	—	50	200	μA
		I <sub>IN</sub> (2)	—	V <sub>DD</sub> = 12V, V <sub>IN</sub> = 0V	-0.2	—	0.2	μA
On Voltage		V <sub>DS</sub> (ON)	—	V <sub>DD</sub> = 12V, I <sub>O</sub> = 8A, T <sub>j</sub> = 25°C	—	—	0.48	V
On Resistance		R <sub>DS</sub> (ON)	—	V <sub>DD</sub> = 12V, I <sub>O</sub> = 8A, T <sub>j</sub> = 25°C	—	—	0.06	Ω
Output Leakage Current		I <sub>OL</sub>	—	V <sub>DD</sub> = 18V, V <sub>IN</sub> = 0V	—	—	1.2	mA
Diagnosis Output Voltage	“L” Level	V <sub>DL</sub>	—	V <sub>DD</sub> = 12V, I <sub>DL</sub> = 2mA	—	—	0.4	V
Diagnosis Output Current	“H” Level	I <sub>DH</sub>	—	V <sub>DD</sub> = 18V, V <sub>DH</sub> = 18V	—	—	10	μA
Overcurrent Protection		I <sub>S</sub> (1) (Note 1)	1	V <sub>DD</sub> = 12V, T <sub>j</sub> = 25°C	8	12	—	A
		I <sub>S</sub> (2) (Note 2)	2		15	24	—	A
Thermal Shutdown	Temperature	T <sub>s</sub>	—	—	150	160	200	°C
	Hysteresis	ΔT <sub>s</sub>	—		—	10	—	°C
Open Detection Resistance		R <sub>Ops</sub>	—	V <sub>DD</sub> = 8V	1	50	100	kΩ
Switching Time		t <sub>ON</sub>	3	V <sub>DD</sub> = 12V, R <sub>L</sub> = 5Ω, T <sub>j</sub> = 25°C	10	200	—	μs
		t <sub>OFF</sub>	3		10	30	—	μs

Note 1: I<sub>S</sub> (1) Overcurrent detection value when load is short circuited and V<sub>IN</sub> = “L” → “H”

Note 2: I<sub>S</sub> (2) Overcurrent detection value when load current is increased while V<sub>IN</sub> = “H”

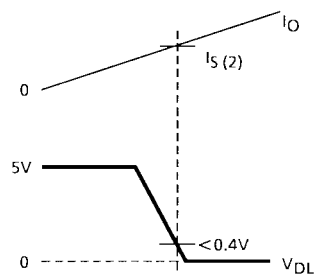
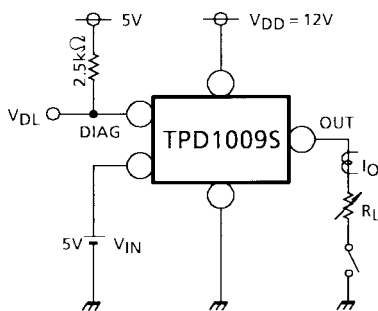
## Test Circuit 1

### Over-voltage detection



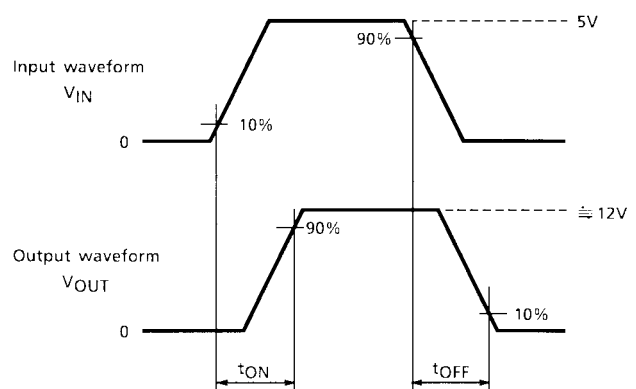
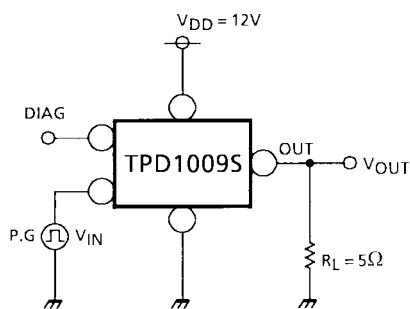
## Test Circuit 2

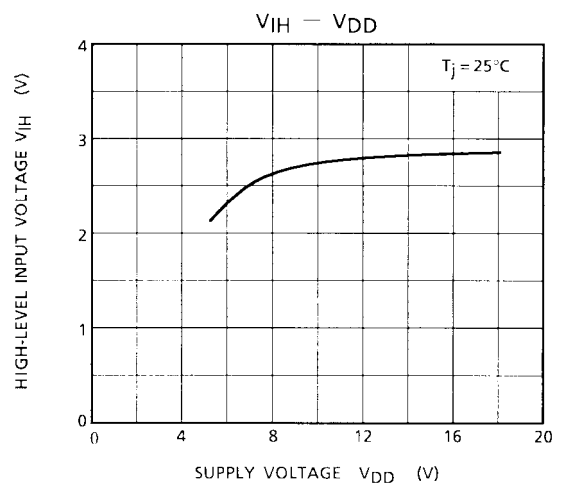
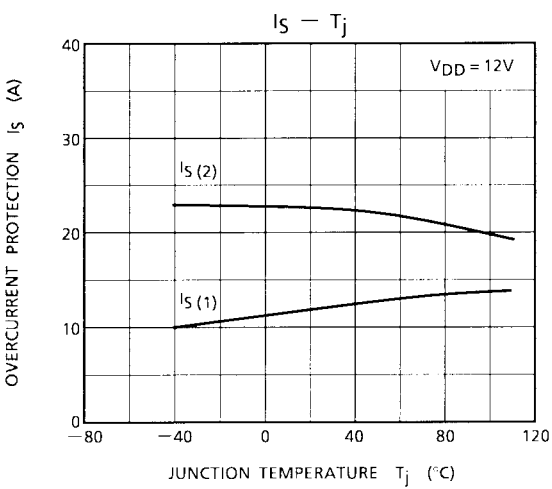
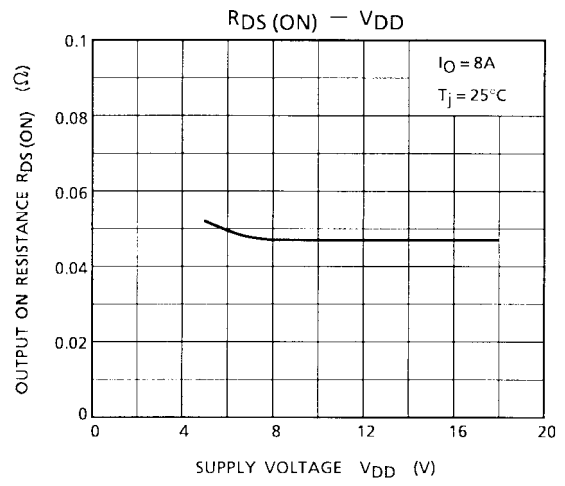
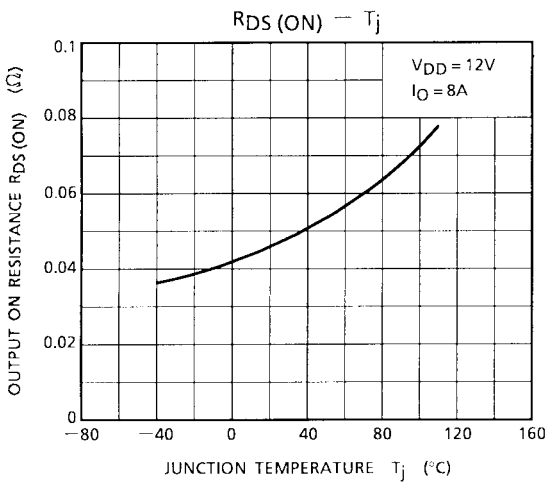
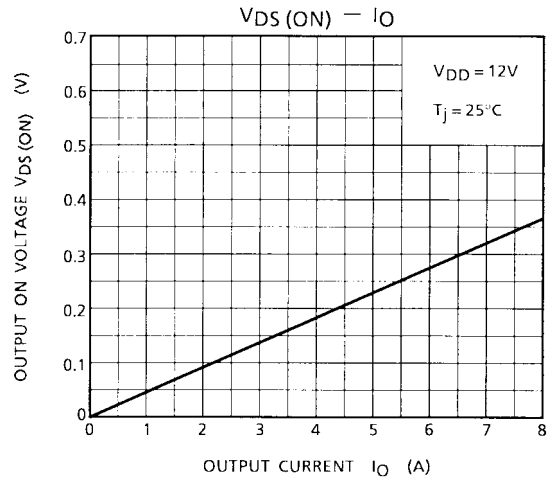
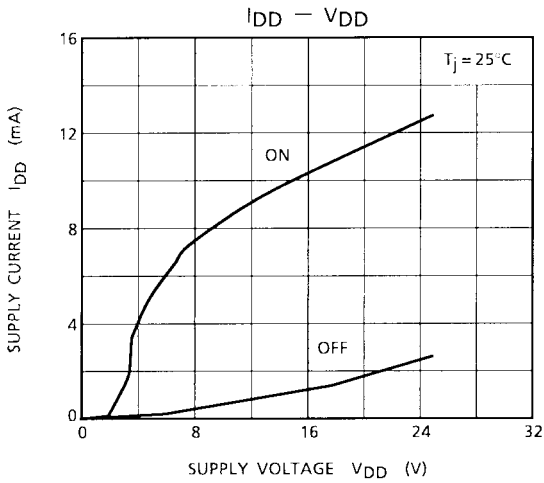
### Over-voltage detection

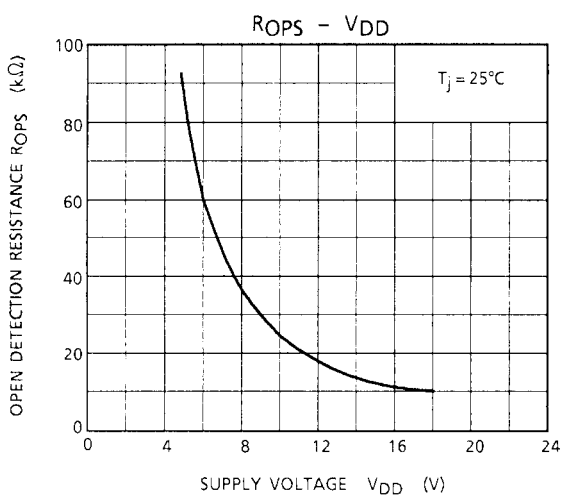
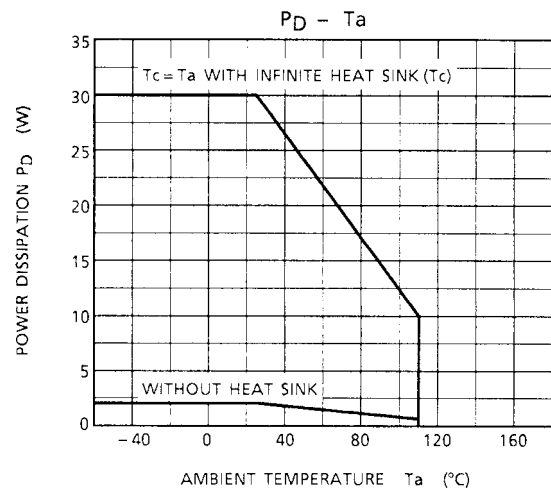
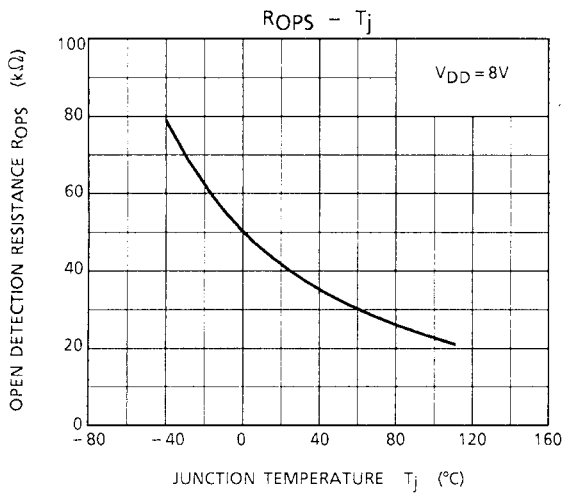
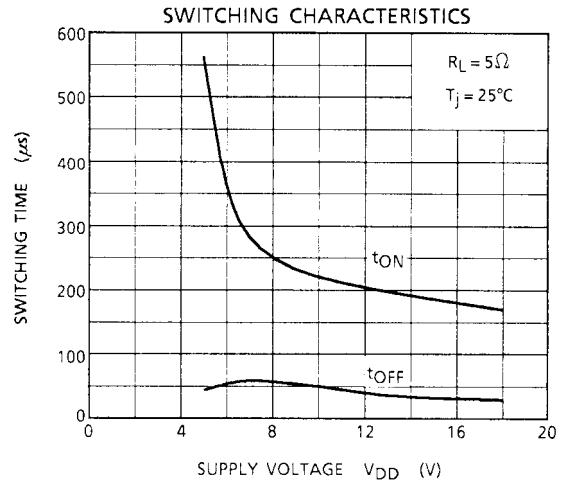
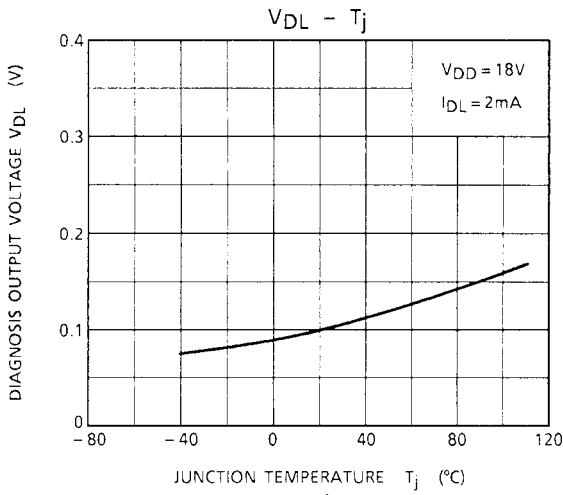


## Test Circuit 3

### Switching time







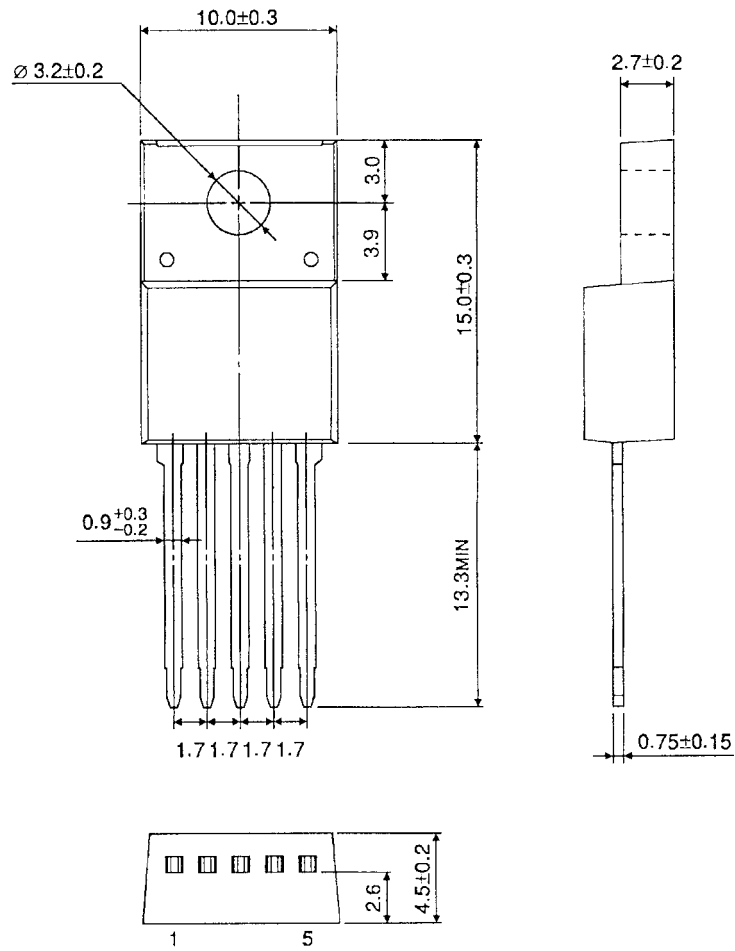
**Precaution:**

1. Since protection for, for example, reverse connection of the battery is not provided, provide protection using external circuits.

## Package Dimensions

SSIP5-P-1.70C (STL)

Unit : mm



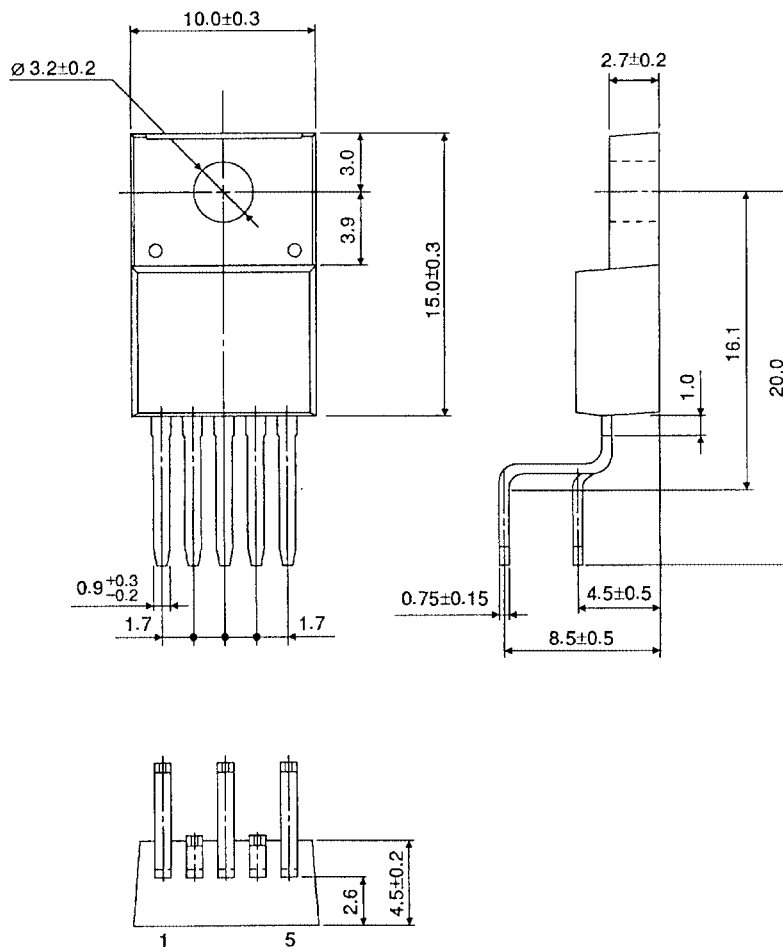
Weight: 2.1g (typ.)



## Package Dimensions

ZIP5-P-1.70L (LBF)

Unit : mm



Weight: 2.1g (typ.)



**RESTRICTIONS ON PRODUCT USE**

000707EBA

- TOSHIBA is continually working to improve the quality and reliability of its products. Nevertheless, semiconductor devices in general can malfunction or fail due to their inherent electrical sensitivity and vulnerability to physical stress. It is the responsibility of the buyer, when utilizing TOSHIBA products, to comply with the standards of safety in making a safe design for the entire system, and to avoid situations in which a malfunction or failure of such TOSHIBA products could cause loss of human life, bodily injury or damage to property.  
In developing your designs, please ensure that TOSHIBA products are used within specified operating ranges as set forth in the most recent TOSHIBA products specifications. Also, please keep in mind the precautions and conditions set forth in the "Handling Guide for Semiconductor Devices," or "TOSHIBA Semiconductor Reliability Handbook" etc..
- The TOSHIBA products listed in this document are intended for usage in general electronics applications (computer, personal equipment, office equipment, measuring equipment, industrial robotics, domestic appliances, etc.). These TOSHIBA products are neither intended nor warranted for usage in equipment that requires extraordinarily high quality and/or reliability or a malfunction or failure of which may cause loss of human life or bodily injury ("Unintended Usage"). Unintended Usage include atomic energy control instruments, airplane or spaceship instruments, transportation instruments, traffic signal instruments, combustion control instruments, medical instruments, all types of safety devices, etc.. Unintended Usage of TOSHIBA products listed in this document shall be made at the customer's own risk.
- The products described in this document are subject to the foreign exchange and foreign trade laws.
- The information contained herein is presented only as a guide for the applications of our products. No responsibility is assumed by TOSHIBA CORPORATION for any infringements of intellectual property or other rights of the third parties which may result from its use. No license is granted by implication or otherwise under any intellectual property or other rights of TOSHIBA CORPORATION or others.
- The information contained herein is subject to change without notice.